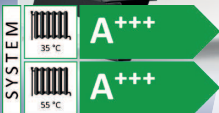


ctc

CTC EcoAir 600M

Speed-controlled air-to-water heat pumps, models 610M-622M, 2.5-22 kW



CTC EcoAir 600M is a series of ultra-efficient, speed-controlled air-to-water heat pumps which automatically adapt to the heating needs of houses, properties or small industrial premises during the year. When high output is required, the output increases. When less output is required, the compressor shifts to lower output. This means that you will always achieve maximum savings.

CTC EcoAir 600 is optimised to make the best possible use of eco-friendly energy in the air. It converts energy in the air into heating and hot water, and does not require boreholes or coils in the ground. CTC EcoAir 600M has automatic defrosting, which results in more heat, more power and a longer service life. CTC EcoAir 600M is equipped with a condensation tray with a built-in heater as standard.

CTC EcoAir 600M should always be installed with one of our indoor or control modules for best results. We recommend CTC EcoZenith i350 for control and hot water. To make heating and hot water adjustment easy, all of our indoor modules have colour touchscreens.

The CTC EcoZenith i350 indoor module is equipped with a highly efficient water heater, which produces over 300 litres of hot water. If you use a lot of water, you can connect CTC EcoAir 622M to the CTC EcoZenith i550 Pro all-in-one multi-tank. It has a hot water capacity of more than 600 litres, which is enough for 15 shower-loving teenagers.

If you wish to connect the CTC EcoAir 600M to your existing installation, complement with the CTC EcoLogic control module. A unique control system that monitors and controls CTC's heat pumps, additional heating, buffer tanks, pools, cooling, etc. for up to four different heating systems. If the energy requirement is particularly large, up to ten pumps can be run together.

All CTC heat pumps and boilers are designed, developed and manufactured in our factory in Ljungby. This gives us total control of all stages of the production process – from manufacture up to delivery of the finished product.

Benefits:

- Best Energy class A+++
- Very low noise level
- Produces up to 80% lower heating costs
- Highest seasonal coefficient of performance (SCOP): SCOP of 4.9
- Condensation water tray with built-in heating
- Provides heating down to -22 °C and produces hot water of up to 65 °C
- Speed-controlled compressor
- Can be controlled from a smartphone with CTC Connect+

**ENERGY FLEX**

Find a CTC distributor in your country
www.ctc-heating.com

Control units compatible with CTC EcoAir 610M-622M – refer to individual product sheets for more detailed information



CTC EcoZenith i350

Indoor module with ultra-efficient water heating. Extremely well-insulated with heat exchanger. Factory-fitted charge pump and installation package.

Low: 1657 mm Top connection.

High: 1905 mm Bottom connection.

CTC EcoZenith i250

Indoor module with EnergyFlex. Flexible system tank with heat pump control and hot water coil. Charge pump included.

Low: 1652 mm Top connection.

High: 1886 mm Top connection.



CTC EcoVent i350F

Indoor module with ultra-efficient hot water heating and integrated exhaust air ventilation. Extremely well-insulated with heat exchanger. Factory-fitted charge pump and installation package.

A new concept for houses with exhaust air heating. A complete indoor module with heat pump control and integrated ventilation, which, when used in combination with an air-to-water heat pump, makes your property significantly more energy efficient, smarter, and quieter.



CTC EcoLogic Pro/Family

EnergyFlex heating system control. A unique control system that monitors and controls CTC's heat pumps, additional heating, buffer tanks, pools, cooling, etc.

The CTC EcoLogic Pro/Family automatically handles the connection/disconnection of the existing boiler, and prioritises hot water production or heating.

Pro: Able to control up to ten CTC heat pumps and four heating systems.

Family: Able to control two CTC heat pumps in two heating systems.

CTC EcoZenith i550 Pro

Intelligent multi-tank with EnergyFlex. All-in-one tank able to control up to three heat pumps and three different heating systems, with integrated solar control and two hot water coils.

CTC EcoZenith i550 Pro has a hot water capacity of more than 600 litres, but is only 1700 mm tall, facilitating its installation in spaces with low ceiling heights.

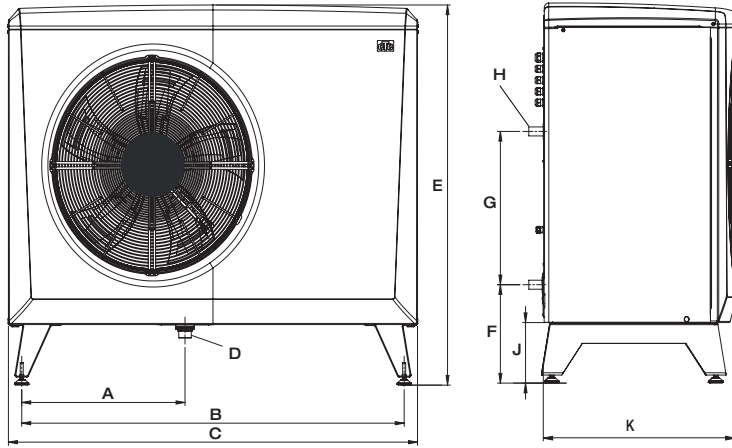
Only for CTC EcoAir 614M-622M



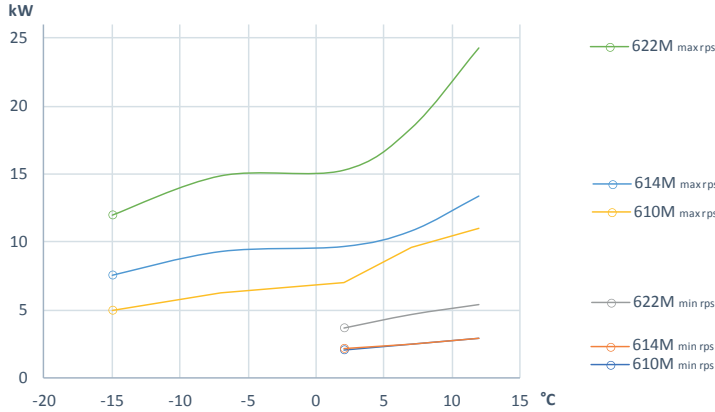
Accessories

		CTC no.:
CTC Installation Kit EcoAir	Flexi-hoses with insulation and connections for frost-protected installation	586534402
CTC Charge Pump 25/75-130	7.5 m A-class PWM. Suitable for heat pump 10-12 kW.	587477302
CTC Charge Pump 25/85-130	8.5 m A-class PWM. Suitable for heat pump 14-20 kW.	587477301
CTC Heating Cable Kit	Frost protection kit for condensate pipe with 5 m cable	586685401
CTC Flow Meter G25	For measuring and adjusting the water flow (Insulation Clamp: 586683411)	586683401
CTC Rain Cover EA Ø500	Rain cover for CTC EcoAir 610M-614M	586997311
CTC Rain Cover EA Ø630	Rain cover for CTC EcoAir 622M	586997312

Dimensions diagram



	610M / 614M	622M
A	486	550
B	1155	1285
C	1245	1375
D	Ø42 (G1¼")	Ø42 (G1¼")
E	1080	1180
F	308	308
G	476	476
H	Ø28	Ø28
J	188	188
K	545	645



Delivery includes:

Heat pump with factory-fitted connectors for power supply and communication.
Communication cable 15 m. Power cable 2 m.

Packaging includes:

Manual, condensate drain G1¼" filter ball valve: G1" (610M/614M)/G1¼" (622M)

Recommended accessories:

CTC Installation Kit EcoAir CTC no: 586534402
Flexi-hoses with insulation and connections for frost-protected installation outdoors.

Technical data 3x400 V		610M	614M	622M
CTC no.		588402001	588400001	588401001
Weight (packaged weight)	kg	174 (204)	174 (204)	192 (226)
Dimensions (depth x width x height)	mm	545x1245x1080		645 x 1375 x 1180
Electrical Data, connection		400V 3N~ 50Hz		
Rated current/ with speed control in control unit	A	7.1/ 6.6	10.2/ 9.4	16.9/ 15.5
Recommended fuse/ with rps control in control unit	A	10/ 10	13/ 10	20/ 16
Energy efficiency class – heating system @ 35/55 °C ¹⁾		A+++	A+++	A+++
Energy efficiency class @ 35/55 °C		A++	A+++	A+++
Supplied output @ W35 °C & A +7 @ min. rps / A -7 °C @ max. rps (EN14511)		0.54 / 2.20	0.54 / 3.94	0.94 / 6.03
Stated output @ W35 °C & A +7 @ min. rps / A -7 °C @ max. rps (EN14511)	kW	2.55 / 6.20	2.55 / 8.69	4.75 / 13.99
Output range min. – max.	kW	2.5 - 10	2.5 - 14	4.5 - 22
Ingress protection (IP)		IP X4		
Nominal heating output (P _{designH}) @ moderate climate 35/55 °C	kW	6 / 7	8 / 8	9 / 9
Nominal heating output (P _{designH}) @ cold climate 35/55 °C	kW	7 / 7	11 / 11	13 / 12
COP @ W35 °C & A +7 @ min. rps / A -7 °C @ max. rps (EN14511)		4.71 / 2.82	4.71 / 2.21	5.07 / 2.32
SCOP moderate climate 35/55 °C (EN14825)		4.8 / 3.6	4.9 / 3.8	4.9 / 3.8
SCOP cold climate 35/55 °C (EN14825)		3.8 / 3.2	3.9 / 3.1	4.3 / 3.5
Refrigerant quantity (R407C, GWP 1774)	kg	2.2	2.2	2.7
CO ₂ - equivalent	tonnes	3.903	3.903	4.790
Airflow, max.	m ³ /h	3129	3129	5457
Sound power L _{WA} (@ A7 & W35/55 according to EN12102 appendix A.4) ²⁾	dB(A)	53 / 53	51 / 52	55 / 55
Sound pressure L _{pA} 5 m (A7 @ W35/W55) ²⁾	dB(A)	34 / 34	32 / 33	36 / 36
Sound pressure L _{pA} 10 m (A7 @ W35/W55) ²⁾	dB(A)	28 / 28	26 / 27	30/ 30

¹⁾ The reported data applies to use with the CTC EcoZenith i350 control unit. Ecodesign data scale: A+++ to G.

Energy labels and data sheets can be downloaded from www.ctc.se/Ecodesign

²⁾ The stated sound values should be considered an indication only, as the level is affected both by power output and the surroundings.